



SECTION 4 INSERT FITTINGS



PRODUCT LINE

PAGE

Couplings - Flo Span Repair, Wrenches	4.014
Couplings, Caps - Flexible & No-Hub	4.017
CPVC Compression Fittings - IPS & CTS	4.011
Flo-Lock Fittings - PVC & CPVC	4.012
Insert Fittings	
Economy No Lead	4.001
No Lead Cast Bronze	4.002 A-B
No Lead Yellow Brass	4.005
Red Brass	4.006 A-B
Steel, Zinc Plated	4.003 A-B
Swaged Stainless Steel	4.004
No Lead - Brass Push Fittings	4.007 A-B
Pipe Repair Clamps	4.018
PVC Compression Fittings - CTS	4.010
PVC Compression Fittings - IPS	4.009
PVC Flo-Lock Fittings - SDR9 Polyethylene	4.013
Saddle Tees - PVC for Rigid	4.016
Saddle Tees - PVC for Rigid Plastic Pipe	4.015
Specialty Pool & Spa Fittings	4.008



Insert Fittings - Economy NO LEAD Cast Bronze



Features:

- Light pattern, NO LEAD cast bronze insert fittings for use with flexible plastic pipe.
- “E” Series light pattern, NO LEAD fittings compete with Merrill.
- Third party certified to NSF/ANSI 372.



ERBMANL



EXLRBMANL



ERBCNL



ERBTNL



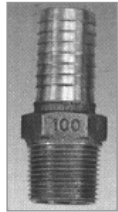
ERBENL

Part Number	Size	Style	# Barbs	Ctn/CaseQty
NO LEAD Cast Bronze Male Insert Adapters (INS x MIP) (Merrill CRBMANL Series)				
ERBMA1/2NL	1/2" x 1/2"	Hex	6	10/200
ERBMA3/4NL	3/4" x 3/4"	Hex	6	10/100
ERBMA1NL	1" x 1"	Hex	7	10/100
ERBMA1X3/4NL	1" x 3/4"	Hex	5	10/100
ERBMA11/4NL	1 1/4" x 1 1/4"	Hex	6	10/100
ERBMA11/4X1NL	1 1/4" x 1"	Hex	7	10/100
ERBMA1X11/4NL	1" x 1 1/4"	Hex	6	10/100
ERBMA11/2NL	1 1/2" x 1 1/2"	Hex	6	5/50
ERBMA2NL	2" x 2"	Hex	7	5/50
NO LEAD Cast Bronze Extra Long Male Adapters (INS x MIP) (Merrill RBMANLXL Series)				
EXLRBMA1NL	1" x 1"	Hex	13	10/100
EXLRBMA11/4NL	1 1/4" x 1 1/4"	Hex	13	10/100
NO LEAD Cast Bronze Couplings (INS x INS) (Merrill RBCPNL Series)				
ERBC1/2NL	1/2" x 1/2"	Hex	4	10/200
ERBC3/4NL	3/4" x 3/4"	Hex	4	10/200
ERBC1NL	1" x 1"	Hex	5	12/120
ERBC11/4NL	1 1/4" x 1 1/4"	Hex	6	12/72
ERBC11/2NL	1 1/2" x 1 1/2"	Hex	4	5/50
ERBC2NL	2" x 2"	Hex	4	50/50
NO LEAD Cast Bronze Tees (INS x INS) (Merrill RBHTNL Series)				
ERBT3/4NL	3/4" x 3/4"		5	10/100
ERBT1NL	1" x 1"		5	10/100
ERBT11/4NL	1 1/4" x 1 1/4"		6	5/50
NO LEAD Cast Bronze Elbows (INS x INS) (Merrill RBHENL Series)				
ERBE3/4NL	3/4" x 3/4"		5	10/100
ERBE1NL	1" x 1"		5	10/100
ERBE11/4NL	1 1/4" x 1 1/4"		6	10/50



Insert Fittings - NO LEAD Cast Bronze

- For use with flexible plastic pipe
- Heavy Pattern, contractor grade NO LEAD cast bronze.
- 20% to 30% heavier fittings than some competitors.
- Third party certified to NSF/ANSI 372.



NLRBMA



NLRBMA



NLXLRBMA



NLLRBMA



NLRBRA



NLRBMUA



NLRBFA



NLRBC

Part Number	Size	Style	Number of Barbs	Ctn/Case Qty
No Lead Cast Bronze Male Insert Adapters (INS x MIP)				
NLRBMA1/2	1/2" x 1/2"	Hex	5	10/200
NLRBMA3/4	3/4" x 3/4"	Hex	5	10/200
NLRBMA3/4X1	3/4" x 1"	Hex	6	10/100
NLRBMA1	1" x 1"	Hex	7	10/100
NLRRBMA1	1" X 1"	Round	6	10/100
NLRBMA1X3/4	1" x 3/4"	Hex	5	10/100
NLRBMA1X11/4	1" x 11/4"	Hex	6	10/100
NLRBMA11/4	1 1/4" x 1 1/4"	Hex	6	10/100
NLRBMA11/4X1	1 1/4" x 1"	Hex	7	10/100
NLRBMA11/2	1 1/2" x 1 1/2"	Hex	6	5/50
NLRBMA11/2X11/4	1 1/2" x 1 1/4"	Hex	6	10/100
NLRBMA2	2" x 2"	Hex	7	5/50
No Lead Cast Bronze Long Male Adapters (INS x MIP)				
NLLRBMA1	1" x 1"	Hex	9	10/100
NLLRBMA1x11/4	1" x 1 1/4"	Hex	9	10/100
No Lead Cast Bronze Extra Long Male Adapters (INS x MIP)				
NLXLRBMA1	1" x 1"	Hex	12	10/100
NLXLRBMA1x11/4	1" x 1 1/4"	Hex	12	10/100
NLXLRBMA11/4	1 1/4" x 1 1/4"	Hex	12	10/100
NLXLRBMA2	2" x 2"	Hex	12	5/50
No Lead Cast Bronze Male Union Adapters (INS x MIP)				
NLRBMUA1	1" x 1"	Hex	6	10/80
NLRBMUA11/4	1 1/4" x 1 1/4"	Hex	6	10/40
No Lead Cast Bronze Rope Adapter (INS x MIP)				
NLRBRA1	1" x 1"	Round w/ rope eye	7	10/100
NLRBRA1X11/4	1" x 1 1/4"	Round w/ rope eye	6	10/100
NLRBRA11/4	1 1/4" x 1 1/4"	Round w/ rope eye	6	10/100
No Lead Cast Bronze Female Adapters (INS x FIP)				
NLRBFA1/2	1/2" x 1/2"	Round	5	10/200
NLRBFA3/4	3/4" x 3/4"	Round	5	10/100
NLRBFA1	1" x 1"	Round	5	10/100
NLRBFA11/4	1 1/4" x 1 1/4"	Round	7	10/100
NLRBFA11/2	1 1/2" x 1 1/2"	Round	6	5/50
NLRBFA2	2" x 2"	Round	7	5/50
No Lead Cast Bronze Couplings (INS x INS)				
NLRBC1/2	1/2" x 1/2"	Hex	4	10/200
NLRBC3/4	3/4" x 3/4"	Hex	4	10/200
NLRBC3/4X1	3/4" x 1"	Hex	5 x 6	10/100
NLRBC1	1" x 1"	Hex	5	10/100
NLRBC1X11/4	1" x 1 1/4"	Hex	6	10/100
NLRBC11/4	1 1/4" x 1 1/4"	Hex	6	10/100
NLRBC11/2	1 1/2" x 1 1/2"	Hex	4	5/50
NLRBC2	2" x 2"	Hex	5	5/50





Insert Fittings - No Lead Cast Bronze

- For use with flexible plastic pipe
- **Heavy Pattern**, contractor grade **NO LEAD** cast bronze.
- Third party certified to NSF/ANSI 372.



NLXLRBC



NLRBHE



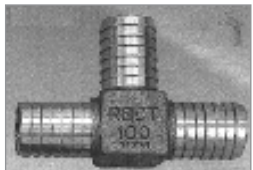
NLRBFE



NLRBE



NLRBHT



NLRBT



NLRBFT

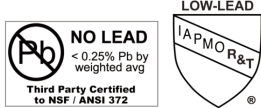
Part Number	Size	Number of Barbs	Ctn/Case Qty
No Lead Cast Bronze Extra Long Couplings (INS x INS)			
NLXLRBC1	1" x 1"Hex	12	10/100
NLXLRBC11/4	1 1/4" x 1 1/4"Hex	12	5/50
NLXLRBC2	2" x 2"Hex	12	5/25
No Lead Cast Bronze Hydrant Elbow (INS x MIP)			
NLRBHE3/4	3/4" x 3/4"	5	10/100
NLRBHE1x3/4	1" x 3/4"	5	10/100
NLRBHE1	1" x 1"	5	10/100
NLRBHE11/4X1	1 1/4" x 1"	6	5/50
NLRBHE11/4	1 1/4" x 1 1/4"	6	5/50
No Lead Cast Bronze Extra Long Hydrant Elbows (INS x MIP)			
NLXLRBHE1	1" x 1"	8	10/100
NLXLRBHE1X3/4	1" x 3/4"	10	10/100
No Lead Cast Bronze Combination Elbows (INS x FIP)			
NLRBFE1	1" x 1"	8	5/50
NLRBFE1x11/4	1" x 1 1/4"	8	5/50
NLRBFE11/4	1 1/4" x 1 1/4"	6	5/50
No Lead Cast Bronze Elbows (INS x INS)			
NLRBE3/4	3/4" x 3/4"	5	10/200
NLRBE1	1" x 1"	6	10/100
NLRBE1X11/4	1" x 1 1/4"	6	10/50
NLRBE11/4	1 1/4" x 1 1/4"	6	10/50
No Lead Cast Bronze Hydrant Tees (INS x MIP)			
NLRBHT3/4	3/4" x 3/4"	4	10/100
NLRBHT1X3/4	1" x 3/4"	6	10/100
NLRBHT1	1" x 1"	4	10/100
No Lead Cast Bronze Tees (INS x INS)			
NLRBT3/4	3/4" x 3/4"	5	10/100
NLRBT1	1" x 1"	6	10/100
NLRBT11/4	1 1/4" x 1 1/4"	6	5/50
No Lead Cast Brass Combination Tees (INS x FPT)			
NLRBFT3/4	3/4" x 3/4"	6	10/100
NLRBFT1	1" x 1"	6	6/60
NLRBFT1X1X3/4	1" x 1" x 3/4"	6	6/60
NLRBFT11/4	1 1/4" x 1 1/4"	6	4/40



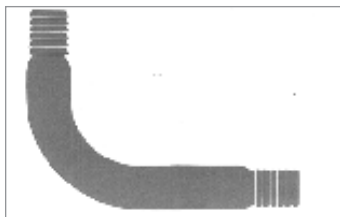


Insert Fittings - Steel, Zinc Plated

- For use with flexible poly pipe
- Made in North America.
- ISVMA, ISWSE, IFAS, ICS - Imported
- Made from Sch 40 C.W. steel pipe, zinc plated.



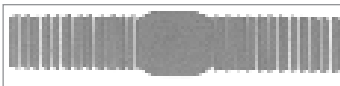
ISVMA



ISWSE



S10, ICS



XS10, ICS-XL



S90, IFAS

Part Number	Size	Ctn/Case Qty
Venturi Adapter, mipt x ins IMPORTED		
ISVMA1X6	1" x 6"	60
ISVMA1X8	1" x 8"	50
ISVMA1X10	1" x 10"	40
ISVMA11/4X6	1-1/4" x 6"	50
ISVMA11/4X8	1-1/4" x 8"	40
ISVMA11/4X10	1-1/4" x 10"	30
Well Seal Elbow, ins x ins IMPORTED		
ISWSE100	1"	BULK
ISWSE125	1-1/4"	BULK
Coupling, ins x ins		
S10-1/2	1/2"	25
S10-3/4	3/4"	25
S10-1	1"	20
S10-11/4	1-1/4"	20
S10-11/2	1-1/2"	10
S10-2	2"	10
Coupling, ins x ins IMPORTED		
ICS50	1/2"	50/300
ICS75	3/4"	50/200
ICS100	1"	25/200
ICS125	1 1/4"	20/120
ICS150	1 1/2"	10/60
ICS200	2"	10/60
ICS250	2 1/2"	2/10
ICS300	3"	2/10
ICS400	4"	2/10
Extra Long Coupling, ins x ins IMPORTED		
ICS100XL	1"	10/120
ICS125XL	1-1/4"	10/80
Female Adapter, fipt x ins IMPORTED		
IFAS50	1/2"	25/200
IFAS75	3/4"	25/150
IFAS100	1"	125
IFAS125	1 1/4"	100
IFAS150	1 1/2"	10/60
IFAS200	2"	4/20

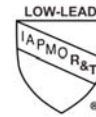




Insert Fittings - Cast Stainless Steel

Stainless Steel Insert Fittings Features:

- Cast from Grade 304 Stainless Steel.
- For use with flexible poly pipe.



SSMA Series



XLSSMA Series



SSC Series



SST



SSE Series



SSHE Series



SSHT Series

Part Number	Size	# Barbs	Ctn/Case Qty
Cast 304 Stainless Steel Male Adapters (MIP x INS)			
SSMA1/2	1/2"	7	10/200
SSMA3/4	3/4"	7	10/200
SSMA3/4X1	3/4" X 1"	6	10/200
SSMA1	1"	7	10/100
SSMA11/4	1 1/4"	7	10/100
SSMA11/4X1	1 1/4" x 1"	7	10/100
SSMA11/2	1 1/2"	7	5/80
SSMA2	2"	7	5/40
Cast 304 Stainless Steel Heavy Pattern Extra Long Male Adapters (MIP x INS)			
XLSSMA1	1" x 1"	13	10/100
XLSSMA11/4X1	1 1/4" x 1"	13	5/60
XLSSMA11/4	1 1/4" x 1 1/4"	13	5/50
Cast 304 Stainless Steel Coupling (INS x INS)			
SSC1/2	1/2" x 1/2"	6	10/200
SSC3/4	3/4" x 3/4"	6	10/200
SSC1	1" x 1"	5	10/100
SSC11/4	1 1/4" x 1 1/4"	5	10/100
SSC11/2	1 1/2" x 1 1/2"	8	10/50
SSC2	2" x 2"	8	5/50
Cast 304 Stainless Steel Tee (INS x INS x INS)			
SST3/4	3/4" x 3/4"	5	5/50
SST1	1" x 1"	5	10/100
SST11/4	1 1/4" x 1 1/4"	5	10/100
Cast 304 Stainless Steel Elbow (INSxINS)			
SSE1	1" x 1"	5	10/100
SSE11/4	1 1/4" x 1 1/4"	7	5/50
Cast 304 Stainless Steel Hydrant Elbow (INSxMIP)			
SSHE3/4	3/4"x 3/4"	5	10/100
SSHE1X3/4	1" x 3/4"	5	10/100
SSHE1	1" x 1"	5	10/100
SSHE11/4	1 1/4" x 1 1/4"	5	10/50
Cast 304 Stainless Steel Hydrant Tee (INS x MIP)			
SSHT3/4	3/4" x 3/4"	4	10/100
SSHT1x3/4	1" x 3/4"	6	10/100
SSHT1	1" x 1"	4	10/100



Insert Fittings - Swaged Stainless Steel

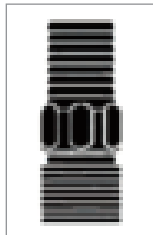
Swaged Stainless Steel Insert Fittings

Features:

- For use with flexible poly pipe.
- Third party certified to NSF/ANSI 372



IMASS Series



SS12 Series



SS38 Series



ICSS Series



SS10 Series

Part Number	Size	Style	# Barbs	Ctn/Case Qty
Swaged 304 Stainless Steel Male Adapter (MIP x INS)				
IMASS50	1/2"	Round	6	25/200
IMASS75	3/4"	Round	6	25/150
IMASS100	1"	Round	7	20/120
IMASS125	1 1/4"	Round	7	20/80
IMASS125100	1 1/4 x 1"	Round	7	20/80
IMASS150	1 1/2"	Round	9	10/60
IMASS200	2"	Round	9	10/40
Swaged 316 Stainless Steel Male Insert Adapters (MIPxINS) Made in USA				
SS12-1/2	1/2"	Hex	6	25/300
SS12-3/4	3/4"	Hex	7	25/200
SS12-1	1"	Hex	7	20/160
SS12-11/4	1-1/4"	Hex	6	20/120
SS12-11/2	1-1/2"	Hex	6	10/60
Swaged 316 Stainless Steel Male Reducing Adapter (MIP x INS) Made in USA				
SS38-11/4x1	1-1/4 x 1"	Round	7	25/100
Swaged 316 Stainless Steel Extra Long Male Adapter (MIP x INS) Made in USA				
XSS12-1	1"	Round	14	25
XSS12-11/4	1 1/4"	Round	14	25

Part Number	Size	Style	# Barbs	Ctn/Case Qty
Swaged 304 Stainless Steel Coupling (INS x INS)				
ICSS50	1/2"	Round	6	25/200
ICSS75	3/4"	Round	6	25/150
ICSS100	1"	Round	7	20/120
ICSS125	1 1/4"	Round	7	20/80
ICSS150	1 1/2"	Round	9	10/60
ICSS200	2"	Round	9	10/40
Swaged 316 Stainless Steel Extra Long Coupling (INS x INS) Made in USA				
XSS10-1	1"	Round	14	25





Insert Fittings - No Lead Yellow Brass



YB00NL

No Lead Yellow Brass Solder Adapter

Features:

- For use with flexible poly pipe
- Third party certified to NSF/ANSI 372.



Part Number	Size	Ctn/Case Qty
NO LEAD Yellow Brass Solder Adapters, ins x solder		
YB00NL3/4	3/4"	10/200
YB00NL1 *	1"	10/200

* Use as 1" male or 3/4" female sweat fitting.

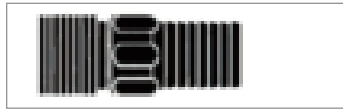


Insert Fittings - Red Brass

- For use with flexible poly pipe
- Made in North America
- B and XB Series ANSI/NSF61
- IMAB Imported
- Made from 85% copper alloy seamless brass pipe with 0.05% lead.



ANSI/NSF Standard 61
Drinking Water System Components



B12, IMAB

* NO wrench-grip shoulder

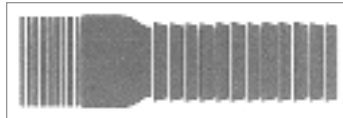


Male Adapter, mipt x ins

Part Number	Size	Ctn/Case Qty
B12-1/2	1/2"	25/300
B12-3/4	3/4"	25/200
B12-1	1"	20/160
B12-11/4	1-1/4"	20/120
B12-11/2	1-1/2"	10/60
B12-2	2"	10/40
B12-3 ☺	3"	10

Male Adapter, mipt x ins IMPORTED

IMAB50	1/2"	50/300
IMAB75	3/4"	50/200
IMAB100	1"	25/100
IMAB125	1 1/4"	20/80
IMAB150	1 1/2"	10/60
IMAB200	2"	10/60
IMAB250	2 1/2"	2/10
IMAB300	3"	2/10
IMAB400	4"	2/10



XB12, IMAB-XL



Extra Long Adapter, mipt x ins

XB12-1	1"	25/100
XB12-11/4	1-1/4"	25/50
XB12-11/2	1-1/2"	25/50

Extra Long Adapter, mipt x ins IMPORTED

IMAB100XL	1"	10/120
IMAB125XL	1-1/4"	10/80



B38



Reducing Male Adapter, ins x red. mipt

B74-1X3/4	1" x 3/4"	25/200
B74-11/4X1	1-1/4" x 1"	25/100



B74



B86



www.cb-supplies.ca
Phone: (866) 503-5523 Fax: (888) 562-2095
AGI@cb-supplies.ca



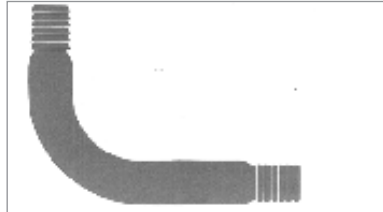


Insert Fittings - Red Brass

- For use with flexible plastic pipe
- Made in North America
- B and XB Series ANSI/NSF61
- IMAB, ICB Imported
- Made from 85% copper alloy seamless brass pipe with 0.05% lead.



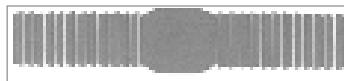
ANSI/NSF Standard 61
Drinking Water System Components



B99



B10, ICB



XB10, ICB-XL



B90



Part Number	Size	Ctn/Case Qty
-------------	------	--------------

Coupling, ins x ins

B10-1/2	1/2"	25/300
B10-3/4	3/4"	25/300
B10-1	1"	20/160
B10-1 1/4	1-1/4"	20/120
B10-1 1/2	1-1/2"	10/60
B10-2	2"	10/40

Coupling, ins x ins IMPORTED

ICB50	1/2"	50/300
ICB75	3/4"	50/200
ICB100	1"	25/100
ICB125	1 1/4"	20/80
ICB150	1 1/2"	10/60
ICB200	2"	10/60
ICB250	2 1/2"	2/10
ICB300	3"	2/10
ICB400	4"	2/10

Extra Long Coupling, ins x ins

XB10-1	1"	25/100
--------	----	--------

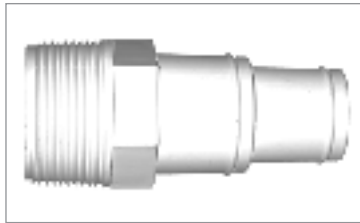
Female Adapter, fipt x ins

B90-1/2	1/2"	25/300
B90-3/4	3/4"	25/200
B90-1	1"	20/160
B90-1 1/4	1-1/4"	20/120
B90-2	2"	10/40



www.cb-supplies.ca
Phone: (866) 503-5523 Fax: (888) 562-2095
AGI@cb-supplies.ca



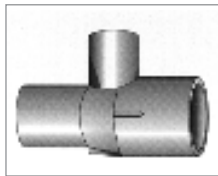


SPA1512

Pool/Spa Hose Adapter Features:

- Larger hex nut than most other styles
- Ribbed insert end to promote a tight seal and tapered thread to prevent “bottoming out” during installation
- White ABS plastic

Part Number	Description	Ctn Qty
SPA1512	1 1/2" mip x 1 1/2", 1 1/4" combo hose adapter	100



473-210

Part Number	Description	Ctn Qty
Venturi Tee		
473-825	3/4" x 1" x 3/4" Venturi Tee	50
473-210	1 1/2" x 1 1/2" x 3/4" Venturi Tee	25
Fittings		
B1241-00	1 1/2" 90 elbow, spigot x spigot	25



SW406 Series

PVC Sweep Elbow Features:

- Exceeds requirements of CA Title 24, Pool Systems & Equipment Installations.
- Sweep Elbows reduce head loss.
- Socket dimensions to Sch 40 ASTM D 2464.
- Listed to NSF/ANSI Standard 50 Swimming Pools, Spas and Hot Tubs - Circulation System Component.

Part Number	Description	Ctn Qty
SW406-015	1 1/2" PVC Sweep Elbow SL x SL	25
SW406-020	2" PVC Sweep Elbow SL x SL	25
SW406-025	2 1/2" PVC Sweep Elbow SL x SL	25

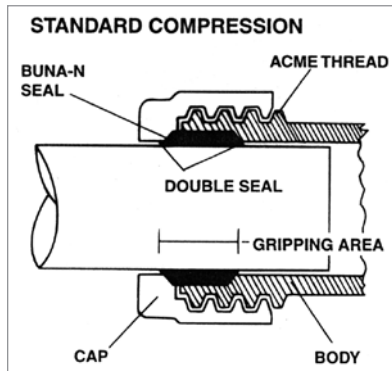


Schedule 80 CPVC Nipple Features:

- Sturdy.
- Lightweight.
- Chemical Resistant.
- Gray.
- Threaded on both ends.

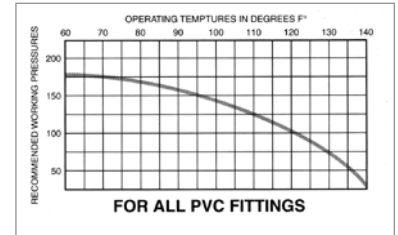


PVC Compression Fittings - IPS



PVC Compression Fitting Features:

- Iron pipe size
- For use with cold water only.
- Buna-N gasket seals
- ACME compression cap threads
- Rated at 200 PSI.



CPC Series IPS

NSF61 Annex G
UPC



CPT-T Series IPS

NSF61 Annex G



CPT-S Series IPS

NSF61 Annex G
UPC

NEW Part Number	OLD Part Number	IPS Size	Body Length	Ctn Qty
PVC IPS Compression Couplings, comp x comp				
CPC0500	110-05	1/2"	4"	28
CPC0750	110-07	3/4"	4-1/4"	24
CPC1000	110-10	1"	4-1/2"	15
CPC1250	110-12	1-1/4"	5"	10
CPC1500	110-15	1-1/2"	5-1/2"	16
CPC2000	110-20	2"	6"	12
CPC2500	110-25	2-1/2"	8"	3
CPC3000	110-30	3"	9"	3
CPC4000	110-40	4"	10"	3
CPC6000	110-60	6"	10"	1
PVC IPS Threaded Tee, comp x comp x fipt				
CPT0500T	120-05	1/2"	4"	24
CPT0750T	120-07	3/4"	4-1/4"	20
CPT1000T	120-10	1"	4-1/2"	15
CPT1250T	120-12	1-1/4"	5"	15
CPT1500T	120-15	1-1/2"	5-1/2"	12
CPT2000T	120-20	2"	6"	10
PVC IPS Slip Tees, comp x comp x slip				
CPT0500S	121-05	1/2"	4"	24
CPT0750S	121-07	3/4"	4-1/4"	20
CPT1000S	121-10	1"	4-1/2"	15
CPT1250S	121-12	1-1/4"	5"	15
CPT1500S	121-15	1-1/2"	5-1/2"	12
CPT2000S	121-20	2"	6"	10

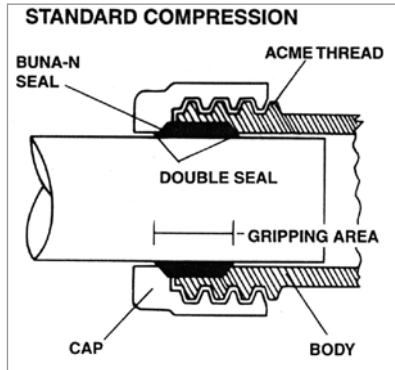


www.cbsupplies.ca
Phone: (866) 503-5523 Fax: (888) 562-2095
AGI@cbsupplies.ca



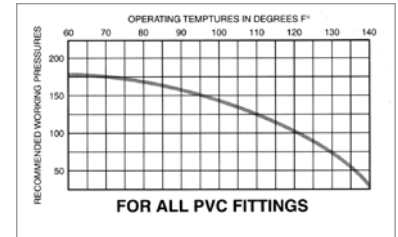


PVC Compression Fittings - CTS



PVC Compression Fitting Features:

- Iron pipe size
- For use with cold water only.
- Buna-N gasket seals
- ACME compression cap threads
- Rated at 200 PSI.



CPA Series IPS

NSF61
Annex G

UPC

NEW Part Number	Previous Part Number	IPS Size	Body Length	Ctn Qty	List Price
PVC IPS Male Adapter, comp x mipt					
CPA0750	130-07	3/4"	2 7/8"	20	\$ 5.87
CPA1000	130-10	1"	3 1/8"	30	6.84
CPA1250	130-12	1-1/4"	3 5/16"	20	8.04
CPA1500	130-15	1-1/2"	3 1/2"	16	9.57
CPA2000	130-20	2"	3 3/4"	12	13.35



CCC Series CTS

NSF61
Annex G

UPC

NEW Part Number	Previous Part Number	CTS Size	Body Length	Ctn Qty	List Price
PVC CTS Compression Coupling, comp x comp					
CCC0500	210-05	1/2"	4"	25	\$ 10.82
CCC0750	210-07	3/4"	4"	28	12.12
CCC1000	210-10	1"	4-1/4"	24	12.75
CCC1500	210-15	1 1/2"	5"	10	24.21
CCC2000	210-20	2"	6"	12	34.28



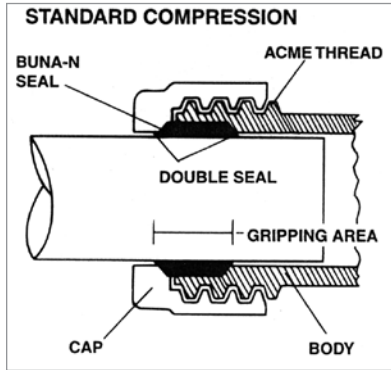
CCT Series CTS

NSF61
Annex G

NEW Part Number	Previous Part Number	CTS Size	Body Length	Ctn Qty	List Price
PVC CTS Threaded Tee, comp x comp x fipt					
CCT0500	220-05	1/2"	4"	36	11.29
CCT0750	220-07	3/4"	4"	24	12.59
CCT1000	220-10	1"	4-1/4"	18	14.47
CCT1250	220-12	1 1/4"	4-1/2"	12	19.00
CCT1500	220-15	1 1/2"	5"	15	36.06
CCT2000	220-20	2"	6"	10	25.91



CPVC Compression Fittings - IPS & CTS



CPVC Compression Fitting Features:

- Iron pipe size & copper tube size
- For hot water use.
- Not to exceed 100 psi at 180 °F
- Buna-N gasket seals
- ACME compression cap threads
- Rated at 200 PSI.



410 Series CTS

Part Number	Size	Description	Body Length	Ctn Qty	List Price
CPVC CTS Compression Couplings, comp x comp					
410-05	1/2"	1/2" cts x 1/2" cts	4"	25	\$ 8.29
410-07	3/4"	3/4" cts x 3/4" cts	4"	28	10.98

TECHNICAL DATA FOR ALL FLO CONTROL FITTINGS & VALVES

1. PVC MATERIAL SPECIFICATION: PVC Type I, Grade I, Cell class 12454-B meeting requirements of ASTM D-1784-75 is used in the manufacturing of all fittings recommended for use of potable cold water (see temperature vs. pressure chart). Not recommended for use on systems exceeding 100 psi @ 120 °F.

2. CPVC MATERIAL SPECIFICATION: CPVC Type IV, Grade I, cell Class 23447-B meeting requirements of ASTM D-1784-75 is used in the manufacturing of all fittings recommended for use on potable hot water systems in accordance with ASTM D-2846-73. Not recommended for use on systems that will exceed 100 psi @ 180 °F.

3. BUNA-N SEALS: The gasket seal material is made of high quality Buna-N elastomeric compound which meets the requirements of ASTM D-2000. It is generally resistant to many hydrocarbons, fats, oils, greases, hydraulic fluids and chemicals. It is generally attacked by Ozone, Ketones, Esters, Aldehydes, chlorinated and nitro hydrocarbons. Reference chemical resistance under NBR (Nitrile) elastomers for specific listings.

4. EPDM O-RINGS: The o-ring material is made of high quality EPDM (Ethylene Polyene Copolymer) which meets the requirements of ASTM D-2000. EPDM has exceptionally good weather aging and ozone resistance, excellent water and chemical resistance and excellent aging resistance for most applications. EPDM is a polymer where oil and solvent resistance is poor. However, it is fairly good in ketones and alcohols. Reference chemical resistance under EPDM, EPT or EPR Elastomers for specific listings.

5. DOUBLE SEAL of standard compression fittings. A compressive action is created as the cap is tightened squeezing the Buna-N seals into the tapered

recessed areas of the cap and body. This process creates a highly concentrated pressure at the two "double seal" points, thus providing positive protection against leakage.

6. ACME THREAD: General purpose 10 pitch Acme thread on compression cap section, eliminates the possibility of cross threading. This smooth running design prevents binding or galling as is often experienced in standard tapered threads.

7. COMPRESSION CONNECTIONS: Compression cap should be drawn up hand tight to insure proper alignment and seating of gasket, then tighten 3/4 to 1 turn with a Flo Spanner Wrench or strap wrench. Average torque should be approximately 25 foot pounds on 1/2" through 2" IPS and 35 foot pounds on 2 1/2" and larger. Compression fittings are not recommended for use on compressed air lines or natural gas lines.

8. THREAD CONNECTIONS: Use PTFE thread seal tape on all IPS thread connections. IPS thread connections should be made hand tight plus 1/2 to 3/4 turn with a wrench.

9. THRUST BLOCKING: When installing the standard compression seal fittings the pipe line must be restrained from lateral movement by thorough soil compaction on straight runs and thrust blocking at change of direction or reduction in size. Not recommended for use on pipe lines suspended on hangers.

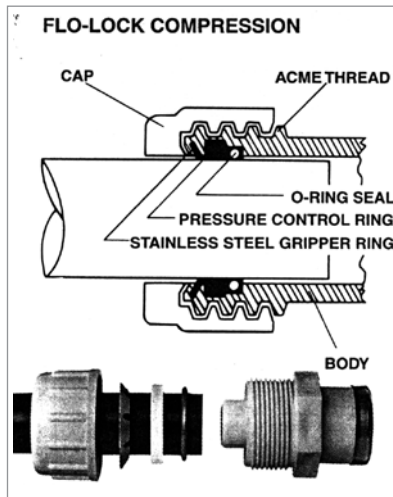
10. FLO LOCK COMPRESSION ADAPTERS: Recommended for use on PVC pipe with wall thickness of SDR-26, Class 160 or greater and copper tubing. Not recommended for use on galvanized pipe unless surface is sanded smooth. The gripper ring is made of stainless steel.

11. ALL SPRINGS made of Series 300 stainless steel.





Flo-Lock Fittings - PVC & CPVC



PVC/CPVC Flo-Lock Fitting Features:

- Iron pipe and copper tube size
- For cold (PVC) or hot (CPVC) water use.
- Built in stiffener to insure grip.
- EPDM o-ring seal
- PVC ring for controlling o-ring pressure.
- Stainless steel gripping ring prevents pull-out.
- Rated at 160 psi @ 72 °F.



NSF61 Annex G

UPC

135 Series IPS



NSF61 Annex G

136 Series IPS



NSF61 Annex G

UPC

235 Series CTS



435 Series CTS

Part Number	IPS Size	IPS Connection	Ctn Qty
PVC IPS Male Adapter with Flo-Lock, flo lock x mipt			
135-05	1/2"	1/2" mipt	25
135-07	3/4"	3/4" mipt	20
135-10	1"	1" mipt	30
135-12	1-1/4"	1-1/4" mipt	20
135-15	1-1/2"	1-1/2" mipt	16
135-20	2"	2" mipt	12
PVC IPS Female Adapter with Flo-Lock, flo lock x fipt			
136-05	1/2"	1/2" fipt	25
136-07	3/4"	3/4" fipt	20
136-10	1"	1" fipt	14
136-12	1-1/4"	1-1/4" fipt	18
136-15	1-1/2"	1-1/2" fipt	16
136-20	2"	2" fipt	10

Part Number	CTS Size	IPS Connection	Ctn Qty
PVC CTS Male Adapter with Flo-Lock, flo lock x mipt			
235-05	1/2"	1/2" mipt	50
235-07	3/4"	3/4" mipt	25
235-10	1"	1" mipt	18
235-12	1-1/4"	1-1/4" mipt	24
235-20	2"	2" mipt	12
CPVC CTS Male Adapter with Flo-Lock, flo lock x mipt			
435-05	1/2"	1/2" cts x 1/2" mipt	50
435-07	3/4"	3/4" cts x 3/4" mipt	25

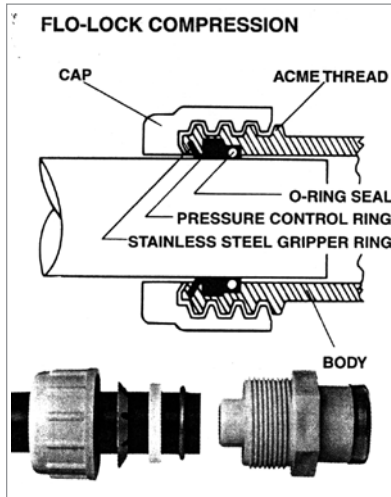


www.cbsupplies.ca
 Phone: (866) 503-5523 Fax: (888) 562-2095
 AGI@cbsupplies.ca





PVC Flo-Lock Fittings - SDR9 polyethylene



PVC Flo-Lock Series 700 Features:

- For water service line installations.
- Use on polyethylene pipe - tube size SDR-9-160 and 200, ASTM D2737.
- Reliable connections for polyethylene or copper tube.
- PVC type I material - 160 psi at 72 °F.
- Dry pull test exceeds 400 psi.
- Quick burst test exceeds 600 psi.
- Stainless steel band to reinforce female thread.
- Not for use with compressed air or natural gas lines.



Series 700 Fittings for:
Polyethylene tubing SDR-9 CTS - OD -
ASTM-2666 & ASTM-2737 dimensions.

Tubing Size	Nominal OD	Nominal ID	Pressure Rating - PSI
3/4"	0.875	0.675	160
1"	1.125	0.865	160
1 1/4"	1.375	1.059	160
1 1/2"	1.625	1.253	160
2"	2.125	1.629	160



NSF LISTED SE-14: ALL
Compression fittings are listed by the National Sanitation Foundation as acceptable for use with potable water.

IAPMO LISTED: Listed by the International Association of Plumbing and Mechanical Officials Research Committee as meeting the requirements set forth by the Uniform Plumbing Code for potable water systems. * Female threaded fittings are no longer IAPMO approved.



NSF61
Annex G

UPC

710 Series



UPC

730 Series



NSF61
Annex G

731 Series



NSF61
Annex G

UPC

733 Series

©Insert stiffener supplied must be used with this fitting

Part Number	Tube Size	Description	Length	Ctn Qty
PVC Couplings, ts x ts				
710-07	3/4"	3/4" x 3/4"	4"	35
710-10	1"	1" x 1"	4"	24
710-17	1"	SDR9 x 3/4" SDR11	4"	36
710-12	1 1/4"	1 1/4" x 1 1/4"	4 1/2"	15
710-15	1 1/2"	1 1/2" X 1 1/2"	5"	15
710-20 ☺	2"	2" x 2"	5"	12
PVC Male Adapters, mipt x ts				
730-07	3/4"	3/4" x 3/4"	2 5/8"	25
730-10	1"	1" x 1"	2 7/8"	18
730-15	1 1/2"	1 1/2" x 1 1/2"	3 1/2"	18
730-20	2"	2" x 2"	3 1/2"	12
730-71	3/4" x 1"	3/4" x 1"	2 7/8"	18
PVC Female Adapters, fipt x ts				
731-07	3/4"	3/4" x 3/4"	2 5/8"	25
731-10	1"	1" x 1"	2 7/8"	15
731-12	1 1/4"	1 1/4" x 1 1/4"	2 7/8"	12
731-15	1 1/2"	1 1/2" x 1 1/2"	3 1/2"	18
731-20 ☺	2"	2" x 2"	4"	12
731-71	3/4" x 1"	3/4" x 1"	2 7/8"	15
PVC Spigot Adapters, ips spigot x ts, (For use with Sch 40 PVC tees, ells)				
733-07	3/4"	3/4" x 3/4"	2 7/8"	18
733-10	1"	1" x 1"	2 7/8"	18
733-12	1 1/4"	1 1/4" x 1 1/4"	2 7/8"	12
733-15	1 1/2"	1 1/2" x 1 1/2"	3 1/2"	18
733-20 ☺	2"	2" x 2"	3 1/2"	12
733-71	3/4" x 1"	3/4" x 1"	3 1/2"	18



www.cbsupplies.ca
Phone: (866) 503-5523 Fax: (888) 562-2095
AGI@cbsupplies.ca





Couplings - Flo Span Repair, Wrenches



118 Series



Flo Span Expandable Repair Coupling Features:

- Double EPDM o-ring seal gives more protection from possible leakage due to deflection of piston in the extended position.
- EPDM o-ring seal also protects against contamination on the cylinder wall.
- Solvent cement trap located in cap to capture excess solvent cement.
- Made from PVC type I grade I material meeting ASTM D-1784
- 118 Series does not have union end.

NEW Part Number	IPS Size	Body Length	Ctn Qty
PVC Flo-Span Expansion Couplings - NO UNION S x SPG			
118-05	1/2"	7 1/2"	28
118-07	3/4"	7 3/4"	24
118-10	1"	9 1/2"	15
118-12	1-1/4"	10 3/4"	10
118-15	1-1/2"	12 3/4"	16
118-20	2"	13 1/2"	12
118-25	2-1/2"	18 3/4"	3
118-30	3"	21"	3



SW Series

Part Number	For Use with Coupling Sizes	Ctn Qty
Adjustable Strap Wrench		
SW400	1/2" through 4"	60
SW600	1/2" through 6"	60



Saddle Tees - PVC for Rigid Plastic Pipe



Clamp-It™ PVC Saddle Tees for Rigid Pipe Features:

- Use for turf and irrigation systems, golf courses, athletic fields.
- Use for water service lines, mines, landfills.
- Provides full and equal support around the entire circumference of the pipe.
- Easy to install hinge and clamping wedge eliminates need for metal screws.
- Made of high impact type II PVC.
- EPDM O-ring seal.
- Rated at 200 PSI at 72 °F.
- For use on cold water lines only, 2" - 8" PVC.



Clamp-It™ PVC Saddle Tee



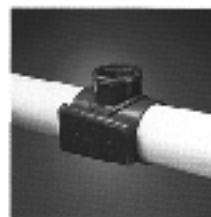
1. Place saddle on desired location and mark. Drill hole according to Drill Chart and deburr.



2. Place saddle over hole and attach easy clamping hinge around pipe.



3. Apply wedge half way by hand and finish off with a slight tap of a rubber mallet. Ideal for new installations or additions.



4. Saddle should be pressure tested prior to burial to assure system integrity. Long lasting EPDM o-ring seal assures a leak free installation. Note: wedge does not need to be flush with saddle body to seal.

Saddle Drill Sizes:

Outlet size	Drill Size
over 2 1/2" pipe	
3/4" IPS Slip & Fipt	3/4"
1" IPS Slip & Fipt	1"
1 1/4" IPS Slip & Fipt	1 1/4"
1 1/2" IPS Slip & Fipt	1 3/8"

* For 2 1/2" IPS saddle with a 2" outlet - Drill size must be 1 3/4" due to pipe restriction.

Part Number	IPS Pipe Size	Tap Size	Ctn Qty
Clamp-It™ PVC Saddle Tees			
421507	1 1/2	3/4 fipt	5
421510	1 1/2	1 fpt	5
422007	2	3/4 fipt	5
422010	2	1 fipt	5
422012	2	1-1/4 fipt	5
422015	2	1-1/2 fipt	5
432010	2	1 slip	5
432012	2	1-1/4 slip	5
432015	2	1-1/2 slip	5
422507	2-1/2	3/4 fipt	5
422515	2-1/2	1-1/2 fipt	5
422520	2-1/2	2 fipt	5
432510	2-1/2	1 slip	5
432515	2-1/2	1-1/2 slip	5
432520	2-1/2	2 slip	5

See next page for 3" - 8" CLAMP IT Saddle Tees.



www.cbsupplies.ca
Phone: (866) 503-5523 Fax: (888) 562-2095
AGI@cbsupplies.ca



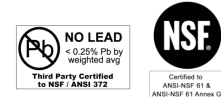


Saddle Tees - PVC for Rigid

Part Number	IPS Pipe Size	Tap Size	Ctn Qty
453007	3	3/4 slip	5
453010	3	1 slip	5
453012	3	1-1/4 slip	5
453015	3	1-1/2 slip	5
453020	3	2 slip	5
443007	3	3/4 fipt	5
443010	3	1 fipt	5
443012	3	1-1/4 fipt	5
443015	3	1-1/2 fipt	5
443020	3	2 fipt	5
454007	4	3/4 slip	5
454010	4	1 slip	5
454015	4	1-1/2 slip	5
454020	4	2 slip	5
444007	4	3/4 fipt	5
444010	4	1 fipt	5
444012	4	1-1/4 fipt	5
444015	4	1-1/2 fipt	5
444020	4	2 fipt	5
456007	6	3/4 slip	5
456010	6	1 slip	5
456015	6	1-1/2 slip	5
456020	6	2 slip	5
446007	6	3/4 fipt	5
446010	6	1 fipt	5
446012	6	1-1/4 fipt	5
446015	6	1-1/2 fipt	5
446020	6	2 fipt	5
458010	8	1slip	5
458015	8	1-1/2 slip	5
458020	8	2 slip	5
448007	8	3/4 fipt	5
448010	8	1 fipt	5
448020	8	2 fipt	5



Clamp-It™ PVC Saddle Tee



Part Number	Description	Ctn Qty
WEDGE 225	Wedge, Fits 2" and 2-1/2" Saddles	1
WEDGE 380	Wedge, Fits 3" and 4" Saddles	1
WEDGE 480	Wedge, Fits 6" and 8" Saddles	1

Replacement O-rings available for all size PVC Saddle Tees.
Contact your customer service representative for sizing and pricing.



www.cbssupplies.ca
Phone: (866) 503-5523 Fax: (888) 562-2095
AGI@cbssupplies.ca





Couplings, Caps - Flexible & No-Hub



Coupling, Cap Features:

- Flexible couplings for joining all types of sewer pipe, including transitions from one type to another.
- NO-HUB couplings for joining cast iron pipe sections
- End Caps for capping cast iron, steel, PVC and ABS pipe.
- 300 Series stainless steel clamps
- Meets IAPMO File #0317, BOCA ESI RR#90-68, SBCCI PST&ESI Report #9483B
- CSA Approved



C Series



MR Series



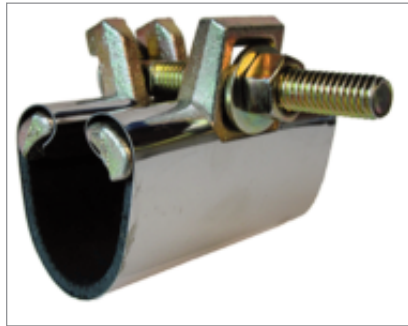
MRTC Series



07 Series

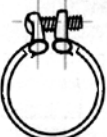
Part Number	Size	Connection	Ctn Qty
NO HUB COUPLINGS			
C150C	1 1/2 X 1 1/2	CI X CI	100
C200C	2 X 2	CI X CI	100
C300C	3 X 3	CI X CI	100
C400C	4 X 4	CI X CI	100
FLEXIBLE COUPLINGS			
MR0244	4 X 4	CLAY X CI/PL	18
MR56125	1 1/2" Tubing, Copper or 1 1/4" PL to Same		24
MR5615	1 1/2 x 1 1/2	CI/PL X CI/PL	24
MR5622/125	2 x 1 1/4	CI/PL x CI/PL	24
MR56215	2 X 1 1/2	CI/PL X CI/PL	24
MR5622	2 X 2	CI/PL X CI/PL	24
MR56315	3 x 1 1/2	CI/PL x CI/PL	24
MR5632	3 X 2	CI/PL X CI/PL	24
MR5633	3 X 3	CI/PL X CI/PL	18
MR5642	4 x 2	CI/PL x CI/PL	18
MR5643	4 X 3	CI/PL X CI/PL	18
MR5644	4 X 4	CI/PL X CI/PL	24
MR5655	5 X 5	CI/PL X CI/PL	14
MR5664	6 x 4	CI/PL x CI/PL	10
MR5666	6 X 6	CI/PL X CI/PL	12
DRAIN PIPING TO TUBULAR TRAP *			
MRTC150	1 1/4" x 1 1/2"		24
MRDTC150	1 1/4" or 1 1/2" x 1 1/4" or 1 1/2"		24
MRDTC215	2" x 1 1/4" or 1 1/2"		24
* Any combination of 1 1/4" or 1 1/2" tubular drain (plastic, tubular or copper)			
END CAPS			
0701-011	1 1/2"		24
0702-019	2"		24
0703-017	3"		24
0704-015	4"		24
0705-020	5"		20
0706-028	6"		12



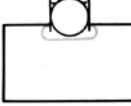


Repair Clamp Features:

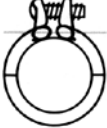
- Pipe repair clamps eliminate the need for costly pipe replacement for simple leaks.
- Non-corrosive clamp band is made of annealed stainless steel.
- Nuts and bolts are cadmium plated with a chromate finish; heavy duty hex nut with washer.
- Lugs are made of annealed, malleable iron for maximum strength and permanence; iron phosphate finish.
- Neoprene gasket with maximum rated service temperature of 212° F (100°C).
- Imported


Straight through bolt pull on lugs gives more uniform pressure on the band, more pressure on pipe with less torque on nut.



Oval lug opening in band won't tear - no corners to rip out as with square hole.



Lugs above pipe level don't pull into pipe. Gives more tension on band - more sealing power yet won't crush pipe.



Band covers lead edge of lug. Equal pressure across entire band. No friction - no cutting into pipe surface by raw edge of band opening.

Part Number	Nominal Pipe Size	IPS Pipe O.D.	CTS Tube O.D.	Ctn Qty
3" Wide, 1 Bolt				
HRC3-3/8	3/8"	.675	.625	6/72
HRC3-1/2	1/2"	.840	.875	6/72
HRC3-3/4	3/4"	1.050	1.125	6/72
HRC3-1	1"	1.315	1.375	6/72
HRC3-1 1/4	1 1/4"	1.660	1.625	6/72
HRC3-1 1/2	1 1/2"	1.900		6/72
HRC3-2	2"	2.375		6/72
HRC3-2 1/2	2 1/2"	2.875		6/48
HRC3-3	3"	3.50		6/48
HRC3-4	4"	4.50		6/24
6" Wide, 2 Bolts				
HRC6-1/2	1/2"	.840	.875	6/56
HRC6-3/4	3/4"	1.050	1.125	6/56
HRC6-1	1"	1.315	1.375	6/56
HRC6-1 1/4	1 1/4"	1.660	1.625	6/56
HRC6-1 1/2	1 1/2"	1.900		6/56
HRC6-2	2"	2.375		6/56
HRC6-2 1/2	2 1/2"	2.875		6/24
HRC6-3	3"	3.50		6/24
HRC6-4	4"	4.50		6/24